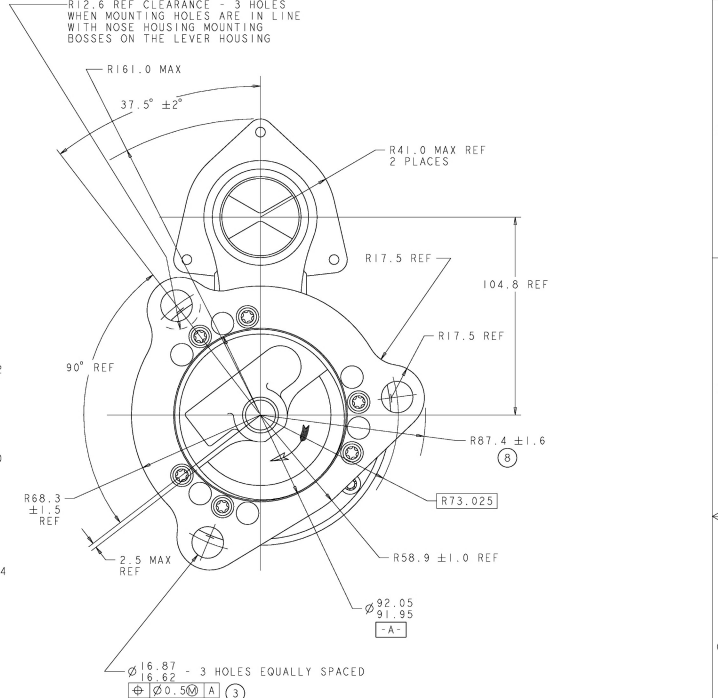
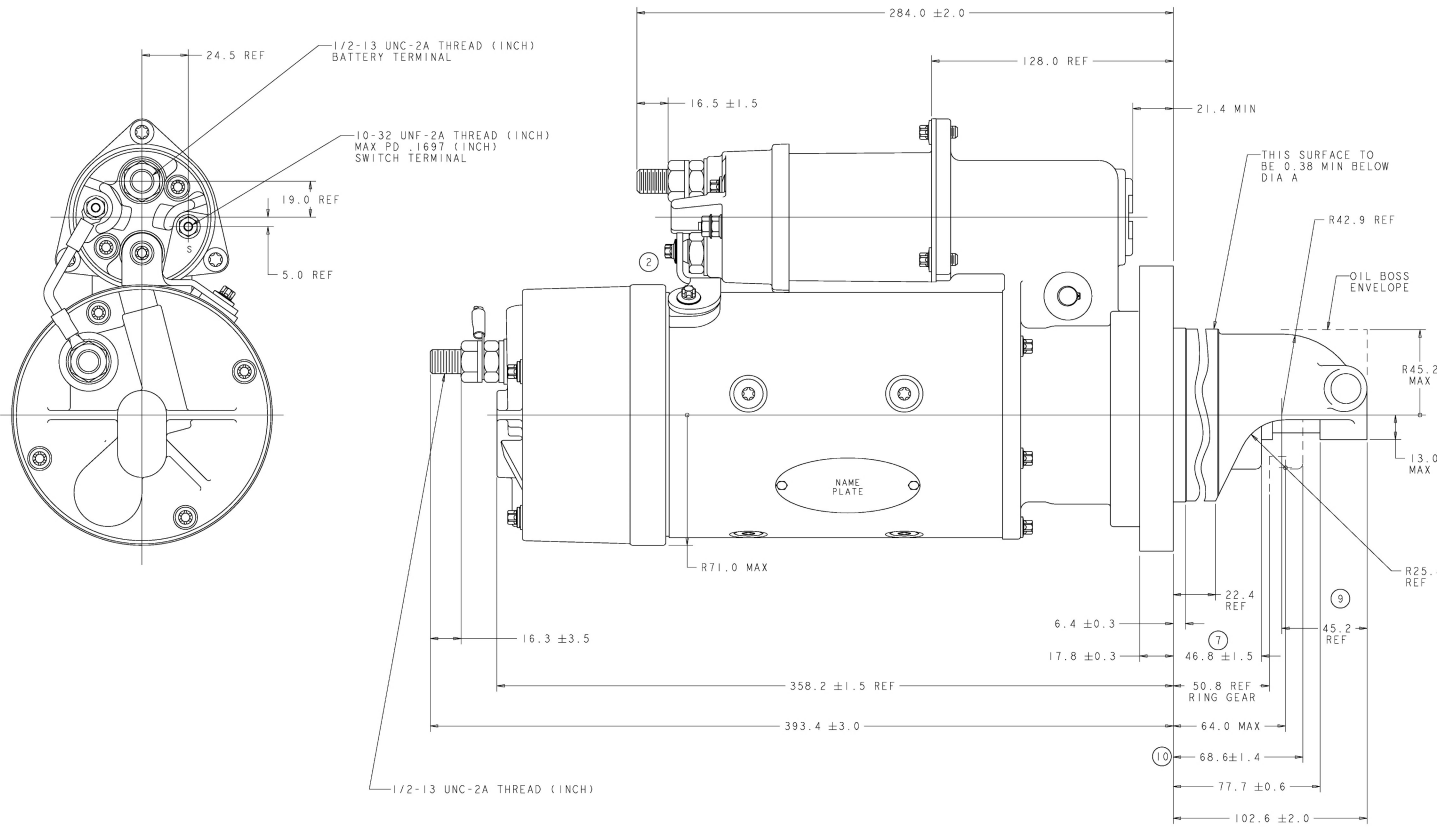


PART NO. <b>10478998</b>	
17N092 SALES RELEASE DATE	823174 TYPGAS
06N092 ENGINEERING RELEASE NOTICE	823174 TYPGAS
DATE 05M	REVISION RECORD AUTH DR CK
1 198804	1 REVISION FORNAT REVISED- WITH CHANGE
2	2 PICTURE REVISED
3	3 DIM ADDED
4	4 HEAVY DUTY APPLICATIONS MANUALS HAS DRG-2632
5	5 DTL SCALED NOTE REMOVED
6	6 MOTOR MOUNTING NOTE ADDED
7	7 49.8±1.5 WAS 49.3±1.0
8	8 182.4±1.4 WAS 181.5
9	9 9.1 DIMENSION REMOVED
10	10 188.4±1.4 DIMENSION ADDED
	13674 RS



**APPLICATION DATA**  
 SERIES 42MT TYPE 400  
 SYSTEM VOLTAGE 24 INSUL PERF CURVE C-7115  
 FRAME SIZE 130.0 DIA X 189.0 LONG  
 MOUNTING #3 SAE MULTI-POSITION (E-30-S)  
 FINISH BLACK ENAMEL  
 TREATMENT COMMERCIAL  
 (PINION DATA IS IN INCHES)  
 PINION DATA 11 TEETH ON 12 TOOTH BLANK  
 PITCH 6/8 PITCH LINE CLEARANCE .015-.025  
 PA 20° OD 2.250 PD 2.000 RD 1.688 MAX  
 2.3034-2.3084 OVER .2880 DIA PINS  
 RING GEAR MUST BE APPROVED BY DELCO REMY INTERNATIONAL

INSTALLATION INFORMATION SEE HEAVY DUTY APPLICATIONS MANUALS (4)  
 6 NOSE HSG BOLTS TORQUED TO 18-23 Nm  
 REMARKS: APPROX NET WT 26.3 kg  
 MOTOR SHOULD BE MOUNTED WITH SOLENOID 15° MIN ABOVE HORIZONTAL

RECOMMENDED TORQUE LIMITS ON ELECTRICAL CONNECTIONS  
 10-32 (INCH) 1.8-3.4 Nm  
 1/2-13 (INCH) 27-34 Nm

THE FOLLOWING APPLY UNLESS OTHERWISE SPECIFIED PERFECT FORM REQUIRED FOR FEATURES OF SIZE AT MMC. TRUE POSITION TOLERANCES, AND RELATED DATUMS, APPLY AT CONDITION OF SIZE, INDICATED IN FEATURE CONTROL FRAME. OTHER GEOMETRIC TOLERANCES, AND RELATED DATUMS, APPLY RFS. SEPARATE TRUE POSITION CALLOUTS MAY BE GAGED SEPARATELY, REGARDLESS OF DATUM REFERENCE.	
GEOMETRIC DRAWING SYMBOLS	DO NOT SCALE
FLAT	PERPENDICULAR
STRAIGHT	CYLINDRICAL
ROUNDNESS	PARALLEL
ANGULAR	TRUE POSITION
MAXIMUM MATERIAL CONDITION (MMC)	CIRCULAR RUNOUT
LEAST MATERIAL CONDITION (LMC)	TOTAL HOUND
REGARDLESS OF FEATURE SIZE	PROJECTED TOLERANCE ZONE
THIRD ANGLE PROJECTION	BASIC DIMENSION
DO NOT SCALE	CAD MATR MODEL
CHANGE RESTRICTED	NO MANUAL CHANGES PERMITTED
DIMENSIONS ARE IN MILLIMETERS U.O.S. ONE PLACE ± 0.8 TWO PLACE ± ANGLE ± 1°	
KEY PRODUCT CHARACTERISTIC	
SAFETY COMPLIANCE	FIT/FUNCTION
KPC NUMBERS MAY NOT BE SEQUENTIAL DUE TO CHANGE NUMBERS ARE NOT REUSED	
0 TOTAL APC ON THIS PART NO.	0 LAST KPC NO. USED
ORIGINAL REF DESCRIPTION 198456 EXC 5 LEVER HSG	
APPLIED SPECIFICATIONS 1983129 MOTOR SPECIFICATION	
MATERIAL BASIC SPEC	
PURCHASING SPEC	
DWG DATE 05N092	DRG SKINNER 07JL04
SCALE FULL	CKGA STEPHENSON 29SE04
FIRST USED	APPR AN DEARINGER 30SE04
10478998 MOTOR	APPR
NAME MOTOR OUTLINE	
SHEET NO. 1	CAT. NO.
PART NO.	10478998
1	8