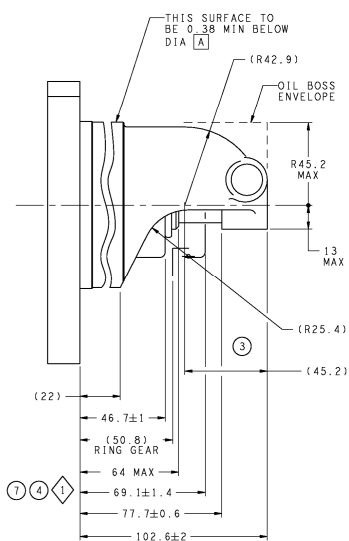
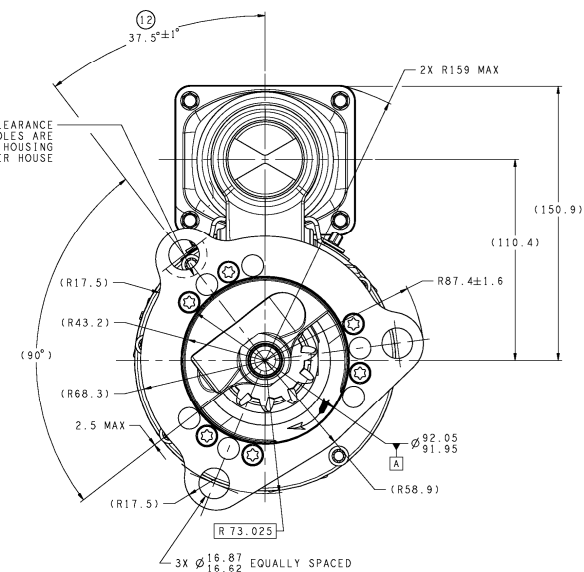
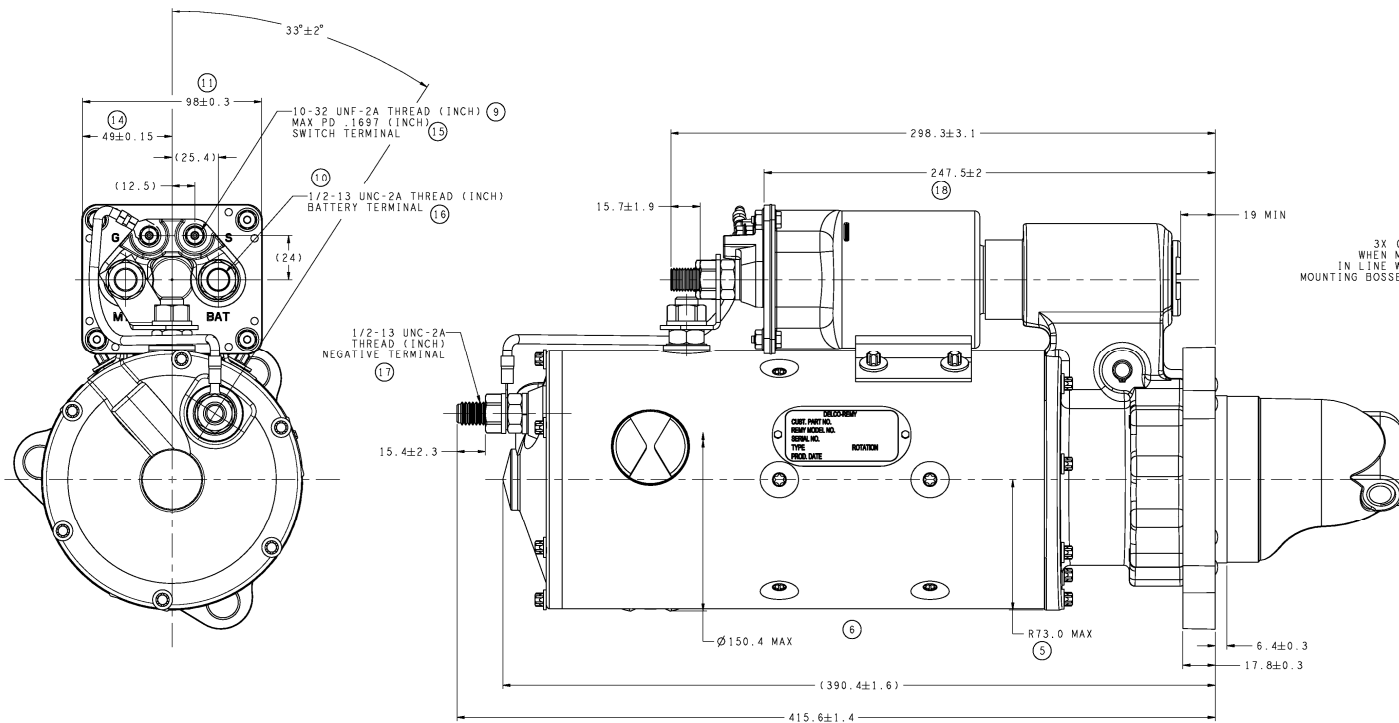


PART NO.		10479339				
D.I.	DATE	REV	REVISION RECORD	AUTH	DR	CK
		2	FORMAT REVISED WITH CHANGE			
		3	R 1.1 DIMENSION REMOVED	14519	RS	EA
	11SEP01	4	R8 R41.4 DIMENSION ADDED			
		5	R12.5 MAX WAS R17 MAX			
		6	UPDATED NAME PLATE			
		7	DOWN R9.1 WAS R8.6 & 1 ADDED NPC			
		8	ADDED WIP PARY NO.			
		9	REMOVED "SWITCH TERMINAL" NOTE	32068	CR	EA
		10	REMOVED "BATTERY TERMINAL" NOTE			
		11	REMOVED "3 MAX (INT)			
		12	DI 3.5±0.1 WAS 31.5±0.2			
		13	UPDATED DRAWING TO 3D FORMAT			
		14	REMOVED MAX LEV			
		15	ADDED SWITCH TERMINAL NOTE	34710	CR	
		16	ADDED BATTERY TERMINAL NOTE			
		17	ADDED NEGATIVE TERMINAL NOTE			
		18	REMOVED MAX LEV (2)			



NOSE ASM VIEW (NOSE ROTATED FOR VIEW CLARITY)

RECOMMENDED TORQUE LIMITS ON ELECTRICAL CONNECTIONS
 10-32 (INCH) 1.8-3.4 Nm
 1/2-13 (INCH) 21-34 Nm

ON SERVICE ORDERS (FOR REMY INC. INTERNAL RECORDS ONLY) SCHEDULE AS 10479339-H AND INCLUDE 10511650 INSTRUCTION SHEET

APPLICATION DATA

SERIES 50MT TYPE 400

SYSTEM VOLTAGE 24 INSUL PERF CURVE C-419

FRAME SIZE 142 DIA X 264.4 LONG

MOUNTING #3 SAE MULTI-POSITION (E-038-P)

FINISH BLACK ENAMEL

TREATMENT COMMERCIAL

(PINION DATA IS IN INCHES)

PINION DATA 11 TEETH ON 12 TOOTH BLANK

PITCH 6/8 PITCH LINE CLEARANCE .015-.025

PA 20° OD 2.25 PD 2 LR 1.688 MAX

2.3034-2.3084 OVER .288 DIA PINS

RING GEAR MUST BE APPROVED BY REMY INC.

INSTALLATION INFORMATION SEE HEAVY DUTY APPLICATIONS MANUALS

6 NOSE HSG BOLTS TORQUED TO 18-23 Nm

REMARKS: OIL SEALED FOR WET CLUTCH SUITABLE FOR -54°C OPERATION APPROX NET WT 35.8 kg MOTOR SHOULD BE MOUNTED WITH SOLENOID 15° MIN ABOVE HORIZONTAL

8 MTU PART NO. X00007196

ALL RIGHTS RESERVED. THESE MATERIALS ARE PROTECTED BY PATENT RIGHTS AND INTERNATIONAL COPYRIGHT LAW. ANY REPRODUCTION OR TRANSMISSION OF THESE MATERIALS WITHOUT THE EXPRESS WRITTEN PERMISSION OF REMY INC. IS PROHIBITED.		THIRD ANGLE PROJECTION
DO NOT SCALE FROM ANY MODEL	NO MANU. CHANGES PERMITTED	KEY PRODUCT CHARACTERISTICS
PROT:		Ø FIT/FUNCTION
		Ø DIM/QUALITY
		Ø NUMBERS MAY NOT BE REDUNDANT DUE TO CHANGE. NUMBERS ARE NOT REUSED.
DIMENSIONS ARE IN MILLIMETERS U. S. S.		1. TOTAL ARE ON THIS PART NO. 2. LAST APC NO. USED:
Ø 0.0125	Ø 0.005	10478911 EXC SEMI-SOLID LINK SOLENOID
Ø 0.0125	Ø 0.005	SPECIFICATIONS
Ø 0.0125	Ø 0.005	1887196 MOTOR SPECIFICATION
INTERPRET IN ACCORDANCE WITH ASME Y14.5M-1994		SCALE 1:0
10479339 MOTOR		DR: SA STEPHENSON 060202
BY: KR DAVIDSON 08JUL2009M 110002		MOD: KR DAVIDSON 08JUL2009M
MOTOR OUTLINE		
SHEET NO. 1 OF 1	DWG NO.	REV
		10479339
		REMY INC.

© REMY INC. 2002

ISO VIEW SCALE 0.5